



SPECIFICATION SHEET

UMACABLE HIGH QUALITY DISPLAYPORT TO DVI ADAPTER CABLE

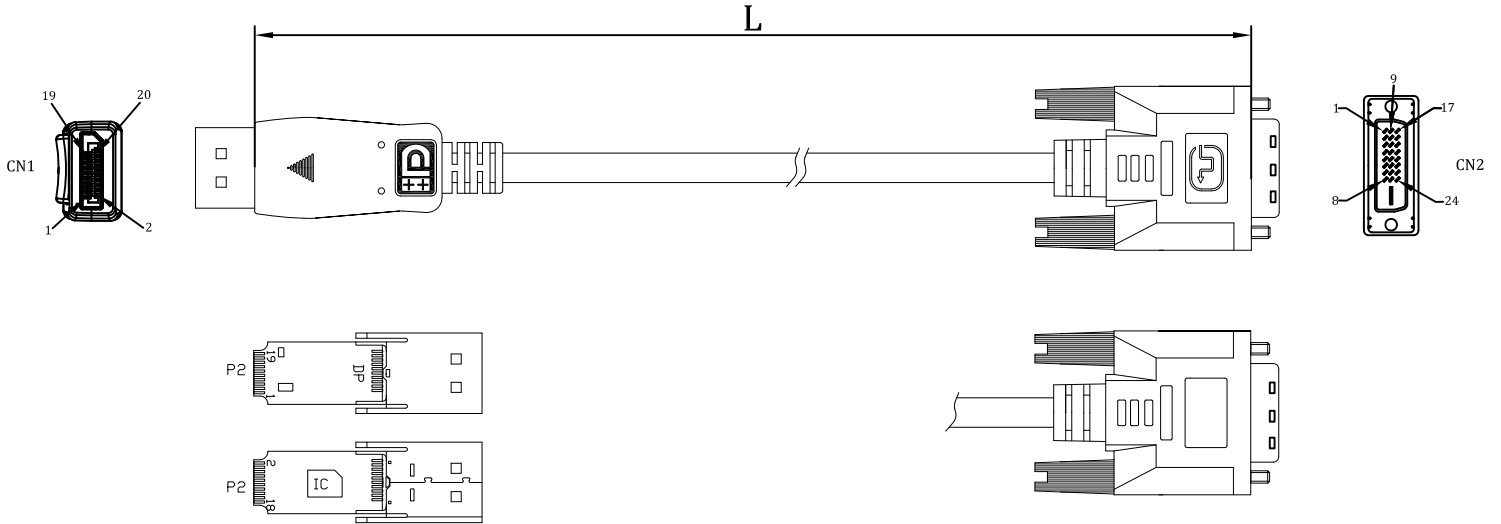
ITEM NO.: UMDP1201



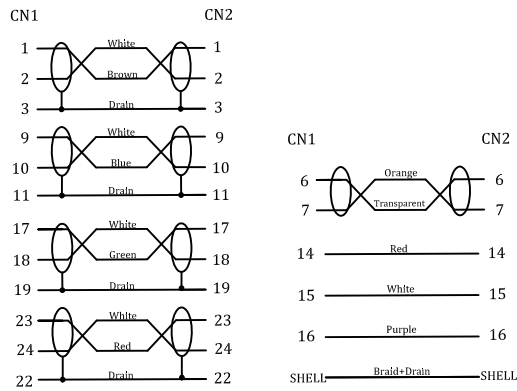
KEY FEATURES :

- High Quality DisplayPort to DVI-D Dual Link Adapter cable
- DisplayPort connector with latches provides a secure connection with a release button that must be depressed before unplugging
- Carries a digital audio/video signal
- Supports a video resolution up to 1920*1080
- Lifetime Warranty

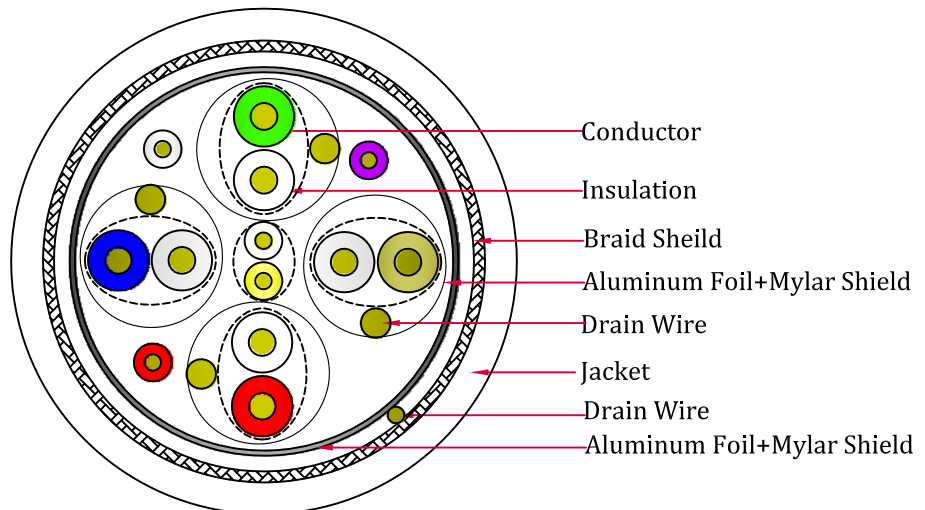
UMACABLE HIGH QUALITY DISPLAYPORT TO DVI ADAPTER CABLE



Diagram



Construction



UMACABLE HIGH QUALITY DISPLAYPORT TO DVI ADAPTER CABLE

Electrical Characteristics:

Nominal Impedance:	100±10Ω
Nominal Velocity of Propagation:	≤1.78ns
DC Resistance:	376Ω/km
Dielectric Strength:	AC 500V/1 minute
Insulation Resistance:	100Ω

Conductor 1 (4 pairs)

Conductor Type:	30AWG Bare Copper
Insulation:	Foamed PE
Color:	Brown/White, Blue/White, Green/ White, Red/White
Drain Wire:	30AWG Bare Copper
Shield:	Aluminum Foil+Mylar 100% Coverage

Connector 1

Connector Type:	DisplayPort Male
PIN Construction:	Phosphor Copper
Plating:	1 μm Gold
Injection:	ABS

Overall

Drain Wire:	30AWG Bare Copper
Foil Shield:	Aluminum Foil+Mylar 100% Coverage
Braided Shield:	16/5/0.12 Aluminum Magnesium
Jacket:	PVC
OD:	7.3±0.2mm

Physical Characteristics:

Voltage Rating:	30V
Maximum Bend Radius:	90mm
Temperature Rating:	80℃
Approvals:	RoHS Compliant
Package type:	PE bag, Zip bag, Box, Hang card, Blister

Conduct 2 (1 pair)

Conductor Type:	30AWG Bare Copper
Insulation:	HDPE
Color:	Orange, Transparent

Conduct 3 (3 conductors)

Conductor Type:	30AWG Bare Copper
Insulation:	HDPE
Color:	Red, White, Purple

Connector 2

Connector Type:	DVI 24+1 Male
PIN Construction:	Phosphor Copper
Plating:	1 μm Gold
Injection:	45P PVC

Customized Parameters

Guage:	AWG 30
Length:	1, 1.5, 1.8, 2, 3, 5m
Color:	Black or Customized
Ferrite Core:	Customized
Nylon Mesh:	Customized
Package type:	PE bag, Zip bag, Box, Hang card, Blister